

SMP(Male) to 2.92mm(Female)

Microwave Farm's Precision Test Adapters are designed based on precision microwave interconnection technologies. **This SMP(Male) to 2.92mm(Female)** adapter is manufactured to precise microwave specifications and constructed with male gender on side 1 and female gender side 2.

The precision microwave connector interfaces ensure an excellent microwave performance up to 40 GHz.



■ Features

- Frequency range : DC to 40 GHz
- VSWR(Max) : 1.20 : 1 (Max) @ 40 GHz
- Beryllium copper(gold plated) & Stainless steel(passivated)

■ Specification

Scope	Specification	MFAD05M03FS1
Electrical	Impedance(Ohm)	50
	Operation Freq.(GHz)	DC to 40 GHz
	VSWR (Max)	1.20 : 1 @ 40 GHz
Material	Dielectric	Special dielectric / ULTEM
	Center Contact	Beryllium copper with gold plated
	Body	Beryllium copper with gold plated & Passivated stainless steel

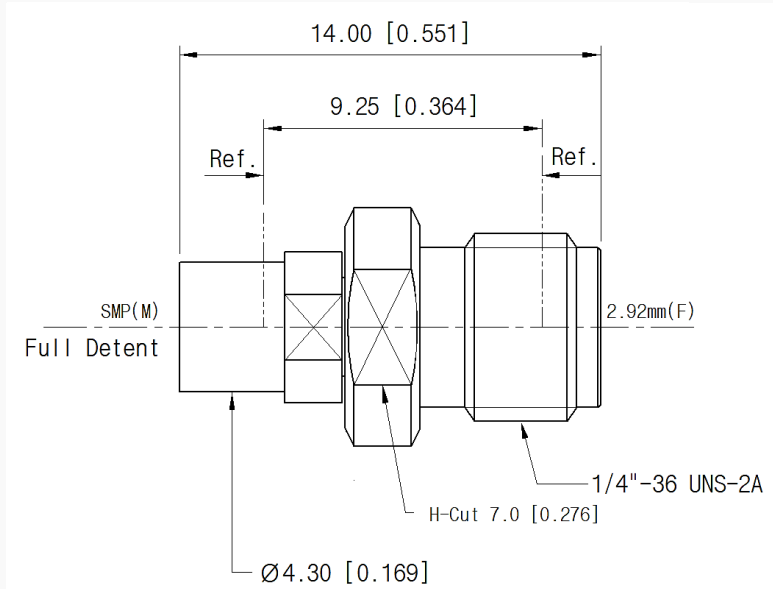
* RoHS Compliant

SMP(Male) to 2.92mm(Female)

Drawing

Part No.: MFAD05M03FS1

Unit : mm



Test Result

Frequency : 10 MHz to 40 GHz

